

Rectangular Inductive Proximity Sensor

PND16

◆Characteristic/特點：

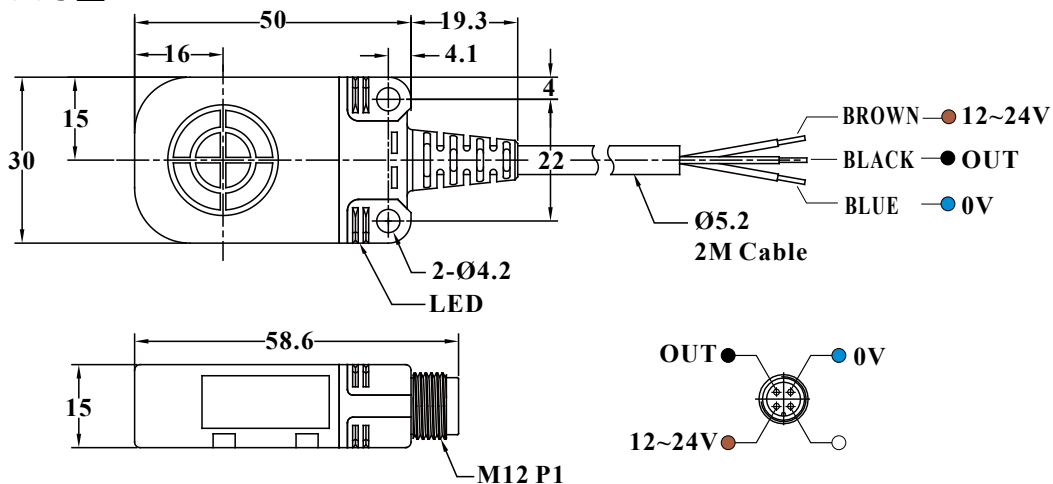
- Build-in twin LED, convenient for checking the operation.
/具有雙LED，檢測操作更方便
- Plug-in connector type is available, easy to connect, anyone can replace the new sensor in a minute.
/插入式接線，安裝更換很容易



◆Specifications / 規格表：

Output method 輸出模式	NPN N.O.	PND16-N	PND16-NK1
	NPN N.C.	PND16-N2	PND16-N2K1
	PNP N.O.	PND16-P	PND16-PK1
	PNP N.C.	PND16-P2	PND16-P2K1
Sensing Surface / 檢測方向	Front surface / 上方		
Standard sensing object / 標準檢測物	Iron 30x30x1mm		
Sensing distance / 檢出距離	16 mm		
Secure sensing distance / 建議距離	0 to 12.8mm		
Hysteresis / 遲滯	≤ 10% of sensing distance		
Response time / 反應時間	3ms Max		
Operating voltage / 工作電壓	DC 12 ~ 24V		
Current consumption / 消耗電流	≤ 14 mA no-load		
Load current / 負載電流	100 mA Max at DC 30V		
Leakage current / 漏電流	≤ 1.1 mA no-load		
Residual voltage / 殘餘電壓	≤ DC 2V		
Insulation resistance / 隔離阻抗	20M Ω min. (DC500V)		
Voltage withstandability / 絕緣耐壓	AC1000V 60Hz for 60 Sec.		
Operating temperature / 工作溫度範圍	-20°C ~ +60°C		
Protection degree / 防水等級	IP66		
Wiring method / 出線方式	Ø5.2 x 2M / 3wires	M12 connector / M12 接頭	
Weight / 重量	Approx. 106g	Approx. 36g	

◆Dimensions/尺寸圖：



◆PND16與周圍金屬的安全距離 (單位：mm)：

