

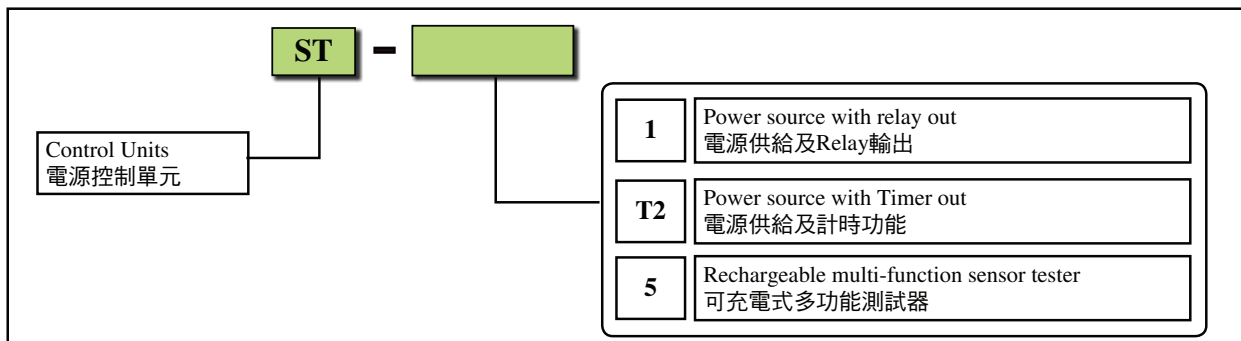
### ◆ Characteristic / 特性 :

12VDC / 50mA external power supply.  
/ 提供電源輸出DC12V / 50mA.

- Available in NPN or PNP, ON / OFF-delay, One-shot, functions.  
/ 可接受NPN或PNP輸入方式
- ON/OFF-Delay ( 0~10sec ).  
ONE-Shot ( 0~10sec ).
- Easy for operating.  
/ 操作容易簡便.



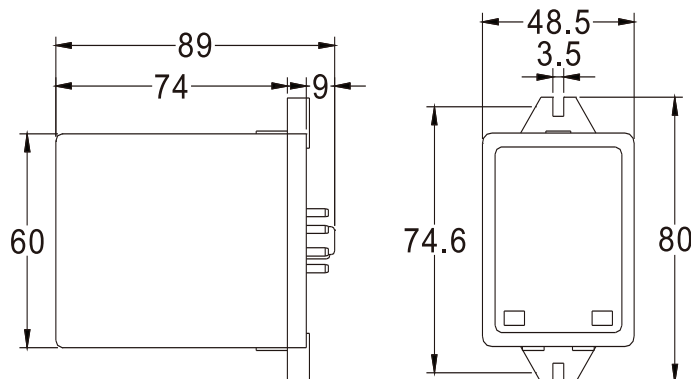
### ◆ Order Information / 訂貨索引 :



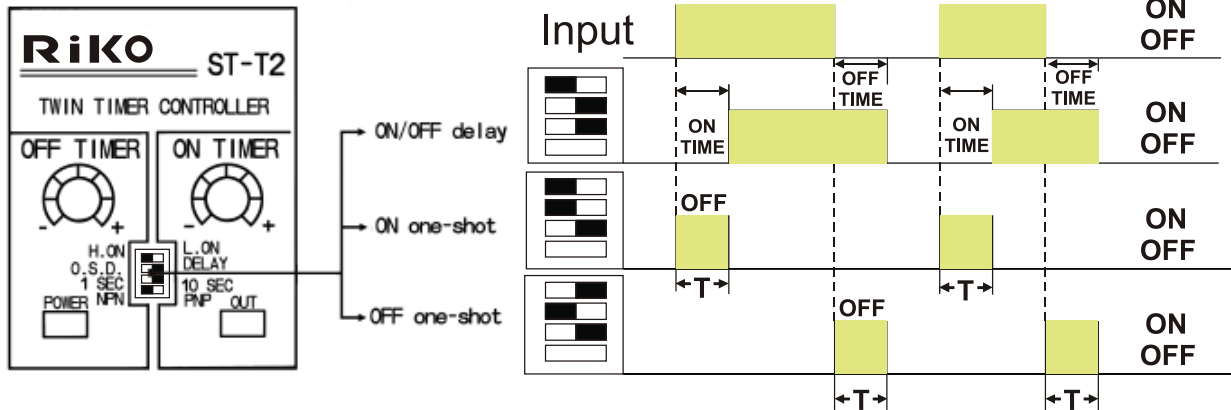
### ◆ Specifications / 規格表 :

Catalog Listing / 型號	ST-1	ST-T2
Adopt controller / 控制選擇	Power Source with Relay Out / 電源供給及RELAY輸出	Power Source with Timer Function / 電源供給及計時功能
Input voltage / 輸入電壓	AC 110 V or AC 220V 50 / 60 Hz ( ±10 % )	
Current consumption / 消耗電流	≤ 8mA NO-Load	
DC Output voltage / 直流輸出電壓	DC 12V ± 10%	
Load current / 負載電流	50 mA Max	
Delay timer functions / 延遲動作時間	-	ON / OFF - Delay Out ( 0 ~ 10 sec ) One - Shot Out ( 0 ~ 10 sec )
Relay output / 輸出接點容量	AC 250V 3A	
Operating temperature/工作時溫度	- 25°C ~ + 60°C	
Weight / 重量	Approx.135g	Approx.240g
Remark / 備註	This product is used with 8PEAW, but the pedestal is extra purchase. /此項產品須配座8PFAW使用,但座需另外購買	

### ◆ Dimensions/尺寸圖 :



## ◆ST-T2 Timing Chart / 時序圖：



- The timer functions are selected by 4-DIP switches.  
/ 功能設定由面板指撥開關變更.
- "T" is the TIME of the Off Timer Range.  
/ T : 延遲時間範圍.
- The knob of ON TIMER must be at 0 sec. position during ON one-shot and OFF one-shot operations.  
/ 如果使用O.S.D.(ON one-shot and OFF one-shot)之功能, 請將ON TIMER旋鈕調至0 sec,指撥開關切換至O.S.D.

## ◆Connection / 接腳圖：

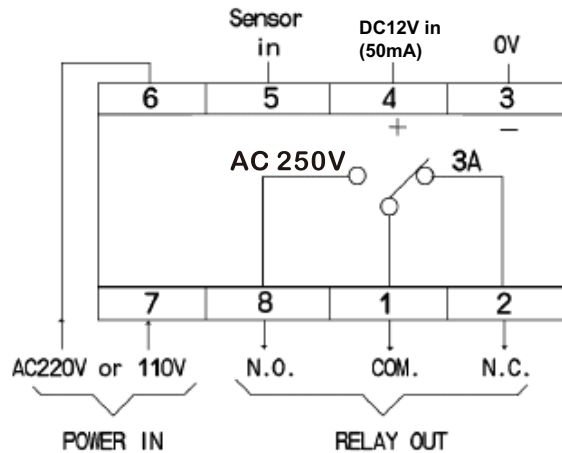
### SENSOR COMBINATION/ 組合應用

Photoelectric Sensors / 光電開關

MF series  
RMF series  
SU series  
TQ18 series  
PK3 series  
PK5 series  
PM6 series

• Proximity Sensors / 近接開關

SC series  
TSC series  
SN series  
TSN series  
JND series  
SIA series  
SIR series



Fiber

Photo Sensor

Area Sensor

Ultrasonic Sensors

Inductive Proximity Sensor

Capacitive Proximity Sensor

Timer / Counter

Others

Accessories