

## ◆Characteristic/特點：

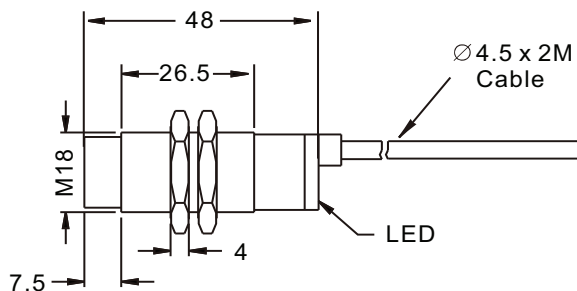
- The IP66 rating is designed to the effective waterproof.  
/保護結構達到IP66的規格，能有效的防水。
- Proximity sensors detect linear and improve sensor accuracy.  
/線性近接感應檢測，提高感測精度。
- Input power polarity reversal protection and Output power short-circuit protection to reduce the damage caused by the wrong operation. / 電源輸入極性保護和輸出功率短路保護，有效保護降低損害。



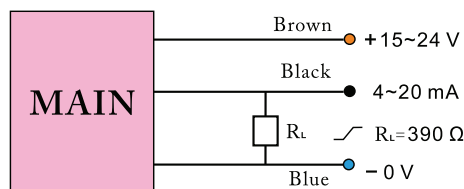
## ◆Specifications / 規格表：

Model / 型號	SC1808-LA
Standard sensing object / 標準檢測物	Iron 18 x 18 x 1 mm
Sensing distance / 檢出距離	8 mm
Secure sensing distance / 建議距離	0 to 6 mm
Hysteresis / 遲滯	≤ 10% of sensing distance
Ripple / 漣波因素	≤ 20%
Operating voltage / 工作電壓	DC 15 ~ 24V
Current consumption / 消耗電流	35 mA Max
Load resistance / 負載阻抗	390 Ω 4~20 mA
Output Protection / 輸出保護	Input power polarity reversal protection / 電源輸入極性保護 Output power short-circuit protection / 輸出功率短路保護
No-load supply current / 無負載電流	≤ 10 mA
Temperature drift / 溫度誤差	≤ 15% Sr
Insulation resistance / 隔離阻抗	20M Ω min. (DC 500V)
Voltage withstandability / 絕緣耐壓	AC1000V 60Hz for 60 Sec.
Operating temperature / 工作溫度範圍	-20°C ~ +60°C
Protection degree / 防水等級	IP66
Wiring method / 出線方式	Pre-wired Ø4.5 x 2 M / 3wires
Weight / 重量	Approx.90g

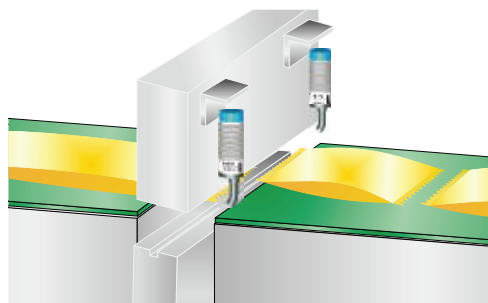
## ◆Dimensions/尺寸圖：



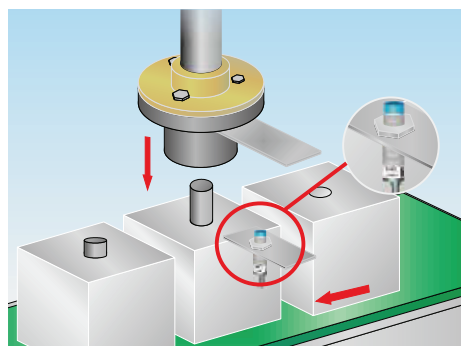
## ◆Wiring diagrams / 接線圖：



## ◆Application / 應用例：



To detect packing machine.  
/ 檢測包裝機咬合。



To precise examination indentation high.  
/ 壓入高度精密檢測。