

Fiber

Photo Sensor

◆Characteristic / 特點：

- Ultra-long sensing distance to reach 50M.
/超長檢出距離，可達50M。
- Special protective hood for dust-proof and greasiness-proof.
/專用防塵蓋設計，可防潑水及抗油污。
- Its special design enhances more durable and rigid.
/特別的機構設計，更加堅固耐用。



◆Specifications / 規格表：

| | |
|---------------------------------|--|
| Model / 型號 | R5JM-50A3 |
| Sensing type / 檢出方式 | Through beam / 對照式 |
| Sensing distance / 檢出距離 | 50m |
| Emitting light / 發光源 | Infrared LED 850nm |
| Operating voltage / 工作電壓 | AC90 ~ 260V DC24~30V |
| Current Consumption / 消耗電流 | 40 mA |
| Load current / 負載電流 | Relay : DC30V 5A/ AC250V 5A |
| Output type / 輸出模式 | Relay out Com./No. |
| Response time / 反應時間 | 20 ms Max. |
| Insulation resistance / 隔離阻抗 | 20MΩ min. (DC500V) |
| Voltage withstandability / 絕緣耐壓 | AC1000V 60Hz for 60 Sec. |
| Operating temperature/工作溫度 | -25°C ~ + 60°C |
| Ambient humidity / 工作溼度 | 35% ~ 85% RH |
| Protection degree / 防水等級 | IP65 |
| Material / 外觀材質 | ABS |
| Wiring method / 出線方式 | (Receiver) Ø5.2 x 2 M / 4-wires / (Emitter) Ø5.2 x 2 M / 2-wires |
| Weight / 重量 | Approx.247g |

Area Sensor

Ultrasonic Sensors

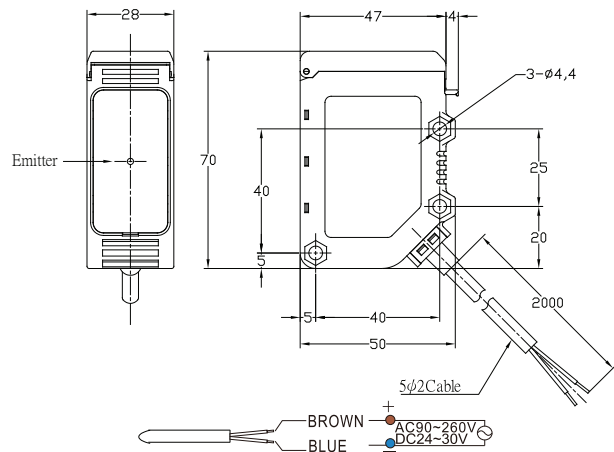
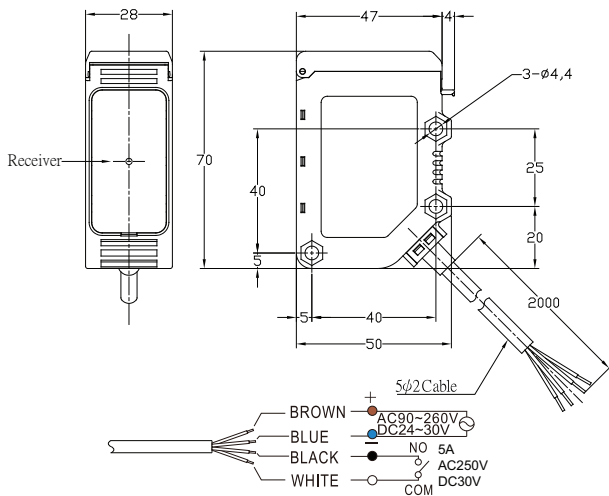
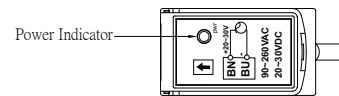
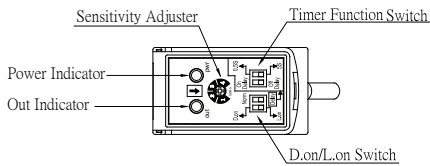
Inductive Proximity Sensor

Capacitive Proximity Sensor

◆Dimensions/尺寸圖：

接收 / Receiver

發射 / Emitter



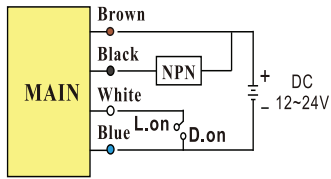
Timer / Counter

Others

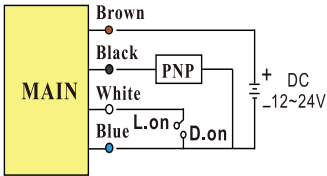
Accessories

◆ Wiring diagrams / 接線圖 :

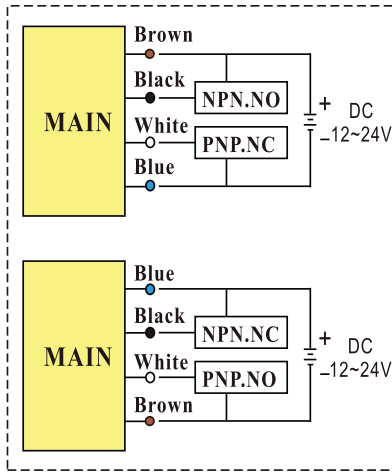
- RMF□-N
- MMF□-N



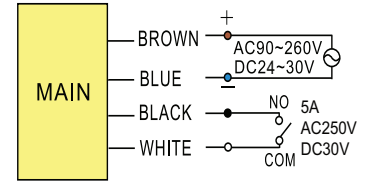
- RMF□-P
- MMF□-P



- MF□-KP2

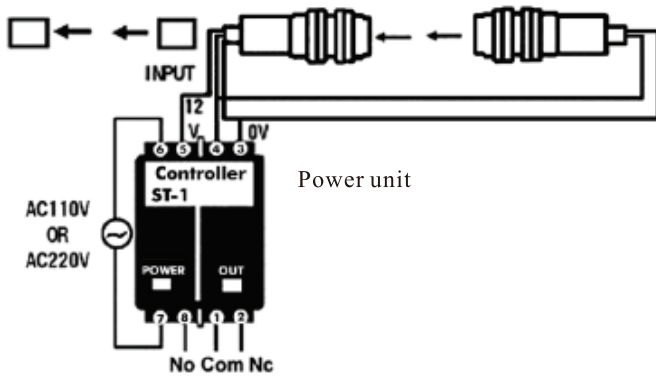


- R3JK□-A3

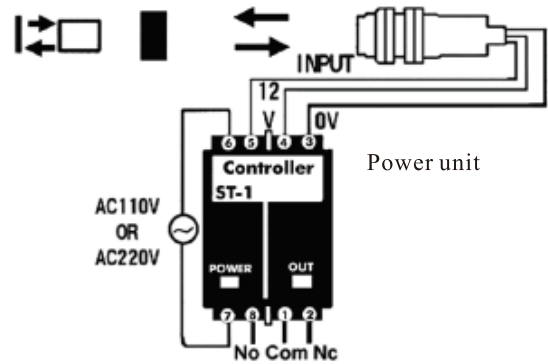


◆ Connections / 接線應用圖 :

- THROUGH-BEAM / 對照式



- DIFFUSE REFLECTION / 擴散反射式
- RETROREFLECTIVE / 鏡片反射式



| |
|-----------------------------|
| Fiber |
| Photo Sensor |
| Area Sensor |
| Ultrasonic Sensors |
| Inductive Proximity Sensor |
| Capacitive Proximity Sensor |
| Timer / Counter |
| Others |
| Accessories |