

## ◆Characteristic / 特點 :

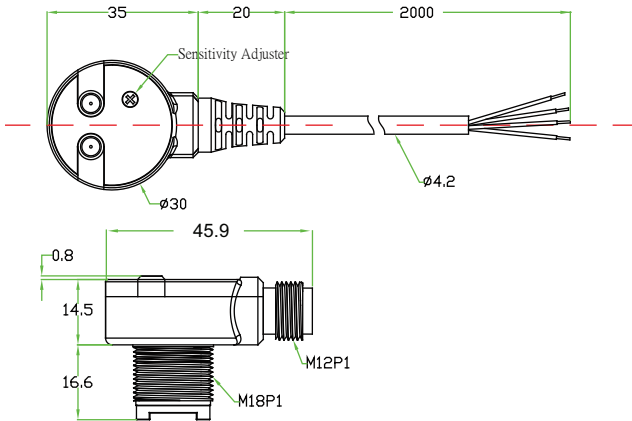
- L.on/D.on switches function. /有L.on/D.on兩種輸出型的選擇
- Easy to install. / 體積小(30x45.9x31.9mm)安裝容易
- Special design for bending resistance. / 接線使用特殊材質耐彎曲
- Superior waterproof IP67.



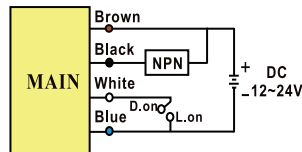
## ◆Specifications / 規格表 :

| Model / 型號                      | NPN L.on/D.on                    | PTQ18-R2N | PTQ18-R2NK1                           |
|---------------------------------|----------------------------------|-----------|---------------------------------------|
|                                 | PNP L.on/D.on                    | PTQ18-R2P | PTQ18-R2PK1                           |
| Sensing type / 檢出方式             | Retroreflective/鏡片反射式            |           |                                       |
| Sensing distance / 檢出距離         | 2M                               |           |                                       |
| Emitting light / 發光源            | Infrared LED 850nm               |           |                                       |
| Operating voltage / 工作電壓        | DC12~24V                         |           |                                       |
| Current Consumption / 消耗電流      | 20mA Max.                        |           |                                       |
| Load current / 負載電流             | 100mA Max. at DC24V              |           |                                       |
| Response time / 反應時間            | 1.5 ms Max.                      |           |                                       |
| Insulation resistance / 隔離阻抗    | 20MΩ min. (DC500V)               |           |                                       |
| Voltage withstandability / 絕緣耐壓 | AC1000V 60Hz for 60 Sec.         |           |                                       |
| Operating temperature/工作溫度      | - 20 °C ~ + 60 °C                |           |                                       |
| Ambient humidity / 工作溼度         | 35% ~ 85% RH                     |           |                                       |
| Protection degree / 防水等級        | IP67                             |           |                                       |
| Material / 外觀材質                 | ABS                              |           |                                       |
| Wiring method / 出線方式            | Pre-wired<br>Ø4.2 x 2M / 4-wires |           | M12 plug-in<br>connector type / M12接頭 |
| Weight / 重量                     | Approx.68.5g                     |           | Approx.18g                            |

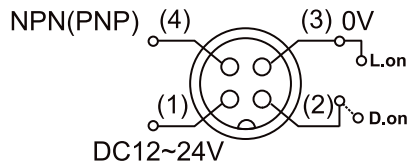
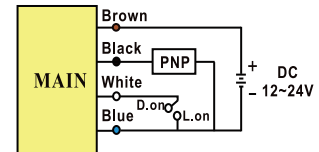
## ◆Dimensions/尺寸圖 :



### NPN Type



### PNP Type



Fiber

Photo Sensor

Area Sensor

Ultrasonic Sensors

Inductive Proximity Sensor

Capacitive Proximity Sensor

Timer / Counter

Others

Accessories