

Superior Waterproof T-style Photo Sensor

PTQ18

◆Characteristic / 特點：

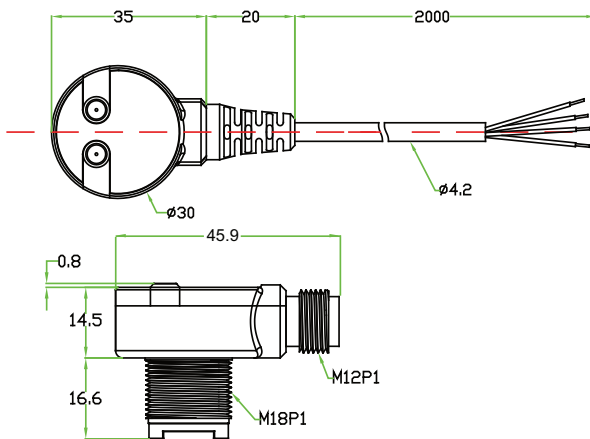
- High brightness dual LED makes you easy to know the current operating situation.
/高亮度雙LED指示燈，讓您可以很快的了解感應器的使用狀態
- L.on/D.on Switch function.
/有L.on/D.on兩種輸出型態的選擇
- Easy to install. /體積小(30x45.9x31.9mm)安裝容易
- Special design for bending resistance. / 接線使用特殊材質耐彎曲
- Superior waterproof IP67.



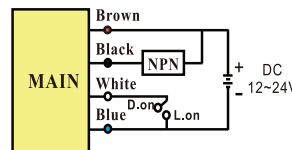
◆Specifications / 規格表：

Model / 型號	NPN L.on/D.on	PTQ18-20N	PTQ18-20NK1
	PNP L.on/D.on	PTQ18-20P	PTQ18-20PK1
Sensing type / 檢出方式	Through beam/對照式		
Sensing distance / 檢出距離	20M		
Emitting light / 發光源	Infrared LED 850nm		
Operating voltage / 工作電壓	DC12~24V		
Current Consumption / 消耗電流	(Receiver)20mA Max. (Emitter)18mA Max.		
Load current / 負載電流	100mA Max. at DC24V		
Response time / 反應時間	7 ms Max.		
Insulation resistance / 隔離阻抗	20MΩ min. (DC500V)		
Voltage withstandability / 絕緣耐壓	AC1000V 60Hz for 60 Sec.		
Operating temperature/工作溫度	- 25 °C ~ + 60 °C		
Ambient humidity / 工作溼度	35% ~ 85% RH		
Protection degree / 防水等級	IP67		
Material / 外觀材質	ABS		
Wiring method / 出線方式	RX : Pre-wired Ø4.2 2M / 4-wires TX : Pre-wired Ø4.2 2M / 2-wires		M12 plug-in connector type / M12接頭
Weight / 重量	Approx.137g		Approx.36g

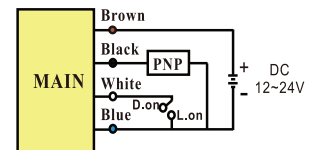
◆Dimensions/尺寸圖：



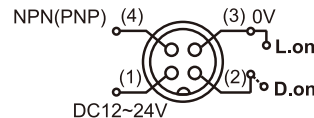
NPN Type



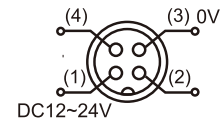
PNP Type



(Receiver/接收)



(Emitter/發射)



Fiber

Photo Sensor

Area Sensor

Ultrasonic Sensors

Inductive Proximity Sensor

Capacitive Proximity Sensor

Timer / Counter

Others

Accessories