

Fiber

### ◆Characteristic/特點

- Right angle 90° prewired, for easy installation in limited space.  
/垂直90度出線，可安裝在狹小的空間內。
- Large LED indicator, clearly checking working operation.  
/LED背後出光，可清晰了解感測器的動作。
- Anti-bending design, IP67 Protection degree.  
/耐撓線，有效的防護電線，減少外力衝擊造成產品的損壞。



Photo Sensor

### ◆Specifications/規格表

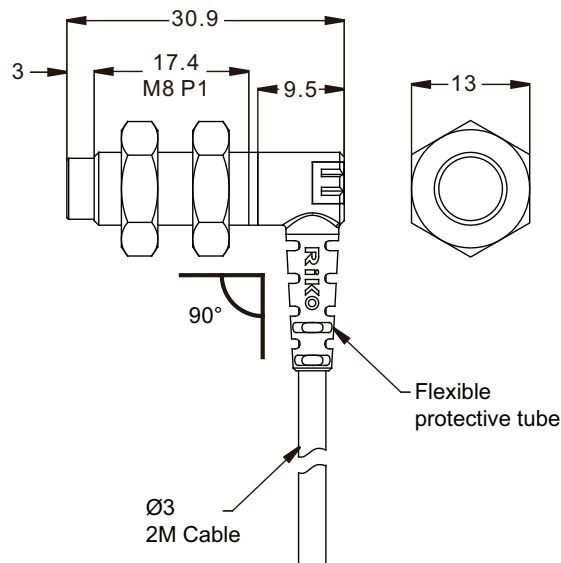
Area Sensor	Output method / 輸出模式	NPN N.O.	PSD0803-N
		NPN N.C.	PSD0803-N2
		PNP N.O.	PSD0803-P
		PNP N.C.	PSD0803-P2
		NPN N.O./N.C. PNP N.O./N.C.	-
		SCR N.O.	-
		SCR N.C.	-
Ultrasonic Sensors	Sensing type / 檢出方式	Unshielded / 非隔離型	
	Description / 外型	Standard / 標準M8	
Inductive Proximity Sensor	Standard sensing object / 標準檢測物	Iron 8 × 8 × 1 mm	
	Sensing distance / 檢出距離	3 mm	
	Secure sensing distance / 建議距離	0 to 2.4 mm	
	Hysteresis / 遲滯	≤ 10 % of sensing distance	
	Response time / 反應時間	1 ms Max.	
	Operating voltage / 工作電壓	DC12 ~ 24 V	
	Current consumption / 消耗電流	≤ 8 mA no-load	
	Load current / 負載電流	100 mA Max at DC 24V	
	Leakage current / 漏電流	≤ 1.1 mA no-load	
	Residual voltage / 殘餘電壓	≤ DC 2V	
Capacitive Proximity Sensor	Insulation resistance / 隔離阻抗	20MΩ min. (DC500V)	
	Voltage withstandability / 絕緣耐壓	AC1000V 60Hz for 60 Sec.	
	Operating temperature / 工作溫度	-20°C ~ + 60°C	
	Protection degree / 防水等級	IP 67	
Timer / Counter	Wiring method / 出線方式	Pre-wired Ø3 x 2M / 3-wires	
	Weight / 重量	Approx.28g	

Capacitive Proximity Sensor

Others

Accessories

### ◆Dimensions/尺寸圖



<unit:mm>