

# U-shape Photo Sensor

# SU07

## ◆Characteristics / 特點：

- The optimum sensitivity(12-turn) can be set easily according to different colors.  
/ 可依不同顏色，調整靈敏度(12轉)。
- Suitable for address reading and cut mark sensing.  
/ 適合位置讀取和檢測裁切標記。



## ◆Specifications / 規格表：

Model / 型號	NPN D.on	SU07-N	SU07-ND1
	PNP D.on	SU07-P	SU07-PD1
Sensing distance / 檢出距離	7 mm		
Min. detection object / 最小檢測物	Opaque / 非透明體 ( Ø0.5 x 10.0mm )		
Emitting light / 發光源	Red LED 660 nm		
Operating voltage / 工作電壓	DC12 ~ 24 V		
Current Consumption / 消耗電流	18 mA Max.		
Load current / 負載電流	100mA Max. at DC24V		
Response time / 反應時間	1 ms Max.		
Ambient illumination/使用環境光源	Incandescent light / 白光 : 1,000 lux max.		
Insulation resistance / 隔離阻抗	20MΩ min. (DC500V)		
Voltage withstandability / 絕緣耐壓	AC500V 60Hz for 60 Sec.		
Operating temperature/工作溫度範圍	-10°C ~ +55°C		
Ambient humidity/溼度範圍	35% ~ 85% RH 相對溼度		
Protection degree / 防水等級	IP64		
Vibration resistance / 耐震頻率	1.5 mm peak to peak amplitude, 10 to 55 Hz, 2 hours in X,Y and z directions		
Shock resistance / 耐震度	50 G repeated 10 times each in X,Y and Z directions		
Material / 外觀材質	PC		
Wiring method / 出線方式	Pre-wired Ø4.2 x 2 M / 3-wires		M8 connector / M8 接頭式
Weight / 重量	Approx.65g		Approx.25g

## ◆Dimensions/尺寸圖：

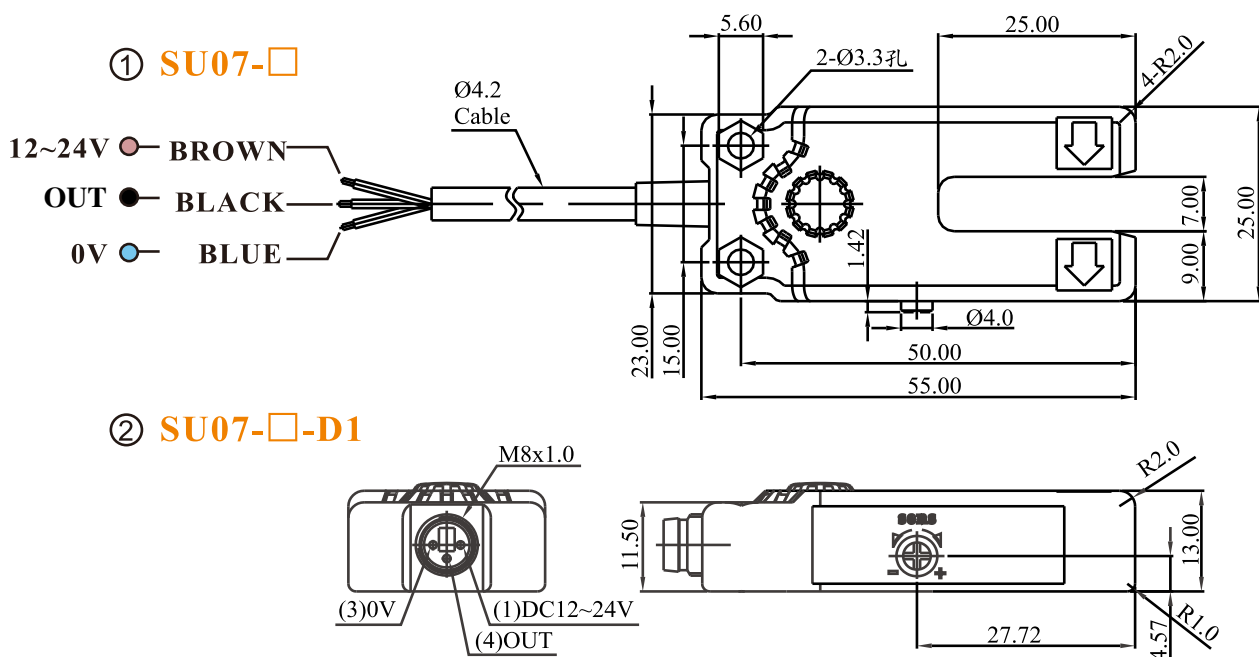


Photo Sensor

Area Sensor

Inductive Proximity Sensor

Capacitive Proximity Sensor

Timer / Counter

Others

Accessories