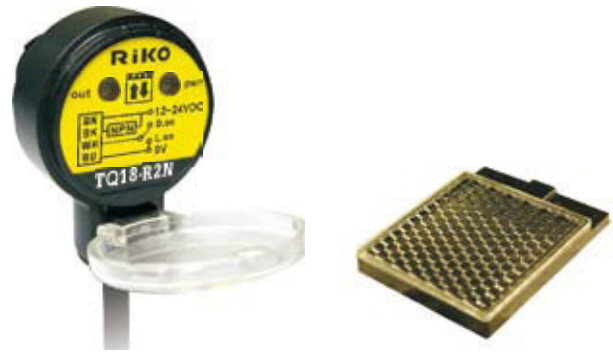


◆ Characteristics / 特點 :

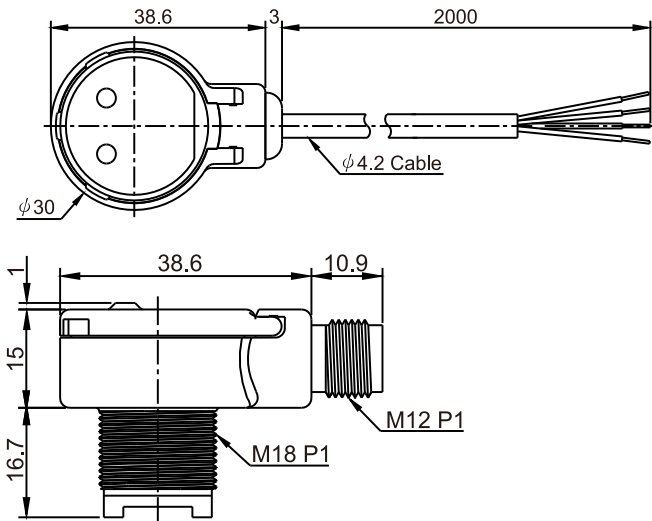
- L.on/D.on Switch function.
/有L.on/D.on兩種輸出型的選擇.
- Easy to install. / 體積小(30x49.5x32.7mm)安裝容易
- Prevent from water and oil,dust cover attached.
/具有防塵蓋, 可防水、防油



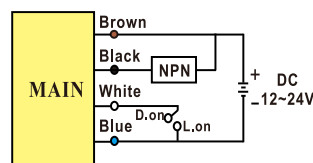
◆ Specifications / 規格表 :

Model / 型號	NPN L.on/D.on	TQ18-R2N	TQ18-R2NK1	TQ18-PR1N	TQ18-PR1NK1
	PNP L.on/D.on	TQ18-R2P	TQ18-R2PK1	TQ18-PR1P	TQ18-PR1PK1
Sensing type / 檢出方式	Retroreflective/鏡片反射式			Polarizing Retroreflective/偏光鏡反射式	
Sensing distance / 檢出距離	2M			1M	
Emitting light / 發光源	Infrared LED 850nm			Red LED 650nm	
Operating voltage / 工作電壓	DC12~24V				
Current Consumption / 消耗電流	34mA Max.				
Load current / 負載電流	100mA Max. at DC24V				
Response time / 反應時間	1.5 ms Max.				
Insulation resistance / 隔離阻抗	20MΩ min. (DC500V)				
Voltage withstandability / 絕緣耐壓	AC1000V 60Hz for 60 Sec.				
Operating temperature/工作溫度	- 20 °C ~ + 60 °C				
Ambient humidity / 工作溼度	35% ~ 85% RH				
Protection degree / 防水等級	IP66				
Material / 外觀材質	ABS				
Wiring method / 出線方式	Pre-wired Ø4.2 x 2M / 4-wires	M12plug-in connector type / M12接頭	Pre-wired Ø4.2 x 2M / 4-wires	M12plug-in connector type / M12接頭	
Weight / 重量	Approx.65g	Approx.18g	Approx.65g	Approx.18g	

◆ Dimensions/尺寸圖 :



NPN Type



PNP Type

