

◆ Characteristics / 特點 :

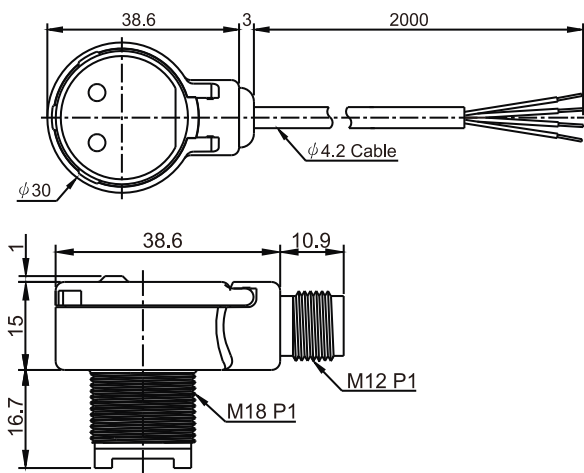
- High brightness dual LED makes you easy to know the current operating situation.
/高亮度雙LED指示燈，讓您可以很快的了解感應器的使用狀態。
- L.on/D.on Switch function.
/有L.on/D.on兩種輸出型的選擇。
- Easy to install. /體積小(30x49.5x32.7mm)安裝容易
- Prevent from water and oil,dust cover attached.
/具有防塵蓋，可防水、防油



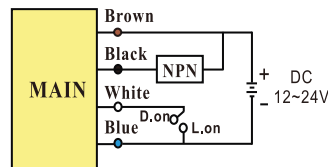
◆ Specifications / 規格表 :

Model / 型號	NPN L.on/D.on	TQ18-10/20N	TQ18-10/20NK1
	PNP L.on/D.on	TQ18-10/20P	TQ18-10/20PK1
Sensing type / 檢出方式	Through beam/對照式		
Sensing distance / 檢出距離	10M / 20M		
Emitting light / 發光源	Infrared LED 850nm		
Operating voltage / 工作電壓	DC12~24V		
Current Consumption / 消耗電流	(Receiver)40mA Max. (Emitter)18mA Max.		
Load current / 負載電流	100mA Max. at DC24V		
Response time / 反應時間	1.5 ms Max.		
Insulation resistance / 隔離阻抗	20MΩ min. (DC500V)		
Voltage withstandability / 絕緣耐壓	AC1000V 60Hz for 60 Sec.		
Operating temperature/工作溫度	- 25 °C ~ + 60 °C		
Ambient humidity / 工作溼度	35% ~ 85% RH		
Protection degree / 防水等級	IP66		
Material / 外觀材質	ABS		
Wiring method / 出線方式	RX : Pre-wired Ø4.2 2M / 4-wires TX : Pre-wired Ø4.2 2M / 2-wires		M12 plug-in connector type / M12接頭
Weight / 重量	Approx.130g		Approx.35g

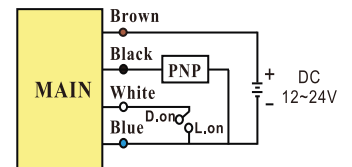
◆ Dimensions/尺寸圖 :



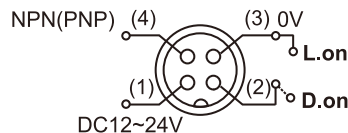
NPN Type



PNP Type



(Receiver/接收)



(Emitter/發射)

