

## ◆Characteristics / 特點：

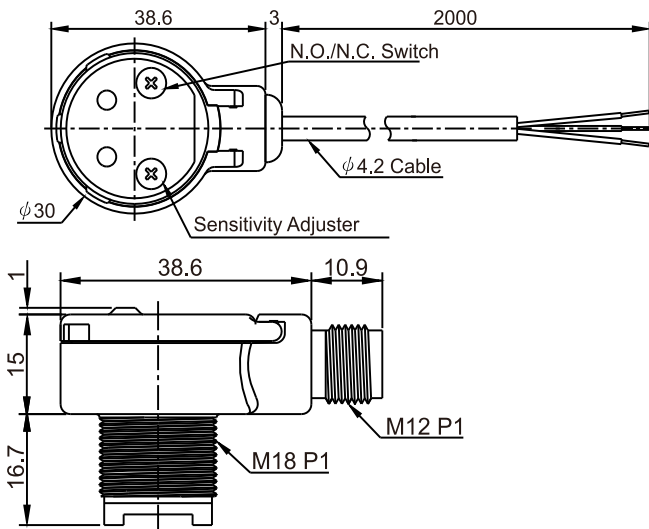
- Elbow housing design, space saving. / 晶體輸出，反應快
- N.O./N.C. function can be adjusted by N.O./N.C. Switch.  
(N.C.(D.on) : Turn the switch to the end of left side.  
N.O.(L.on) : Turn the switch to the end of right side.)  
/輸出之NO/NC可用VR調整，無需重新配線  
(N.C. : VR轉至最左；N.O. : VR轉至最右)
- Easy to install. / 體積小(30x49.5x32.7mm)安裝容易
- Prevent from water and oil, dust cover attached.  
/具有防塵蓋，可防水、防油



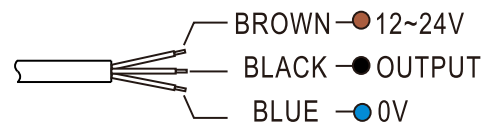
## ◆Specifications / 規格表：

Model / 型號	NPN L.on/D.on	TQ18-DU10/40N	TQ18-DU10/40NK1
	PNP L.on/D.on	TQ18-DU10/40P	TQ18-DU10/40PK1
Sensing type / 檢出方式	Diffuse reflection/擴散反射式		
Sensing distance / 檢出距離	10cm / 40cm		
Emitting light / 發光源	Infrared LED 850nm		
Operating voltage / 工作電壓	DC12~24V		
Current Consumption / 消耗電流	34mA Max.		
Load current / 負載電流	100mA Max. at DC24V		
Response time / 反應時間	1.5 ms Max.		
Insulation resistance / 隔離阻抗	20MΩ min. (DC500V)		
Voltage withstandability / 絕緣耐壓	AC1000V 60Hz for 60 Sec.		
Operating temperature/工作溫度	- 25 °C ~ + 60 °C		
Ambient humidity / 工作溼度	35% ~ 85% RH		
Protection degree / 防水等級	IP66		
Material / 外觀材質	ABS		
Wiring method / 出線方式	Pre-wired Ø4.2 x 2 M / 3-wires 出線		M12 plug-in connector type / M12接頭
Weight / 重量	Approx.65g		Approx.18g

## ◆Dimensions/尺寸圖：



### TQ18-DU□



### TQ18-DU□K1

