

# AC Type Photo Sensor

# R3JK

## ◆Shape / 外觀 :



## ◆Specifications / 規格表 :

Model / 型號	R3JK-DU50A3 R3JK-DU100A3	R3JK-R5A3	R3JK-10A3 R3JK-30A3
Sensing type / 檢出方式	Diffuse reflection / 擴散反射式	Retroreflective / 鏡片反射式	Through beam / 對照式
Sensing distance / 檢出距離	50 cm / 100cm	5M	10M / 30M
Emitting light / 發光源	Infrared LED 850 nm /Infrared LED 940 nm	Infrared LED 940 nm	Infrared LED 850 nm
Operating voltage / 工作電壓	AC90 ~ 260V DC20~30V		
Current Consumption / 消耗電流	25 mA Max.		
Load current / 負載電流	Relay : DC30V 5A/ AC250V 5A		
Output type / 輸出模式	Relay out Com./NO.		
Response time / 反應時間	1.5 ms Max.		
Insulation resistance / 隔離阻抗	20MΩ min. (DC500V)		
Voltage withstandability / 絕緣耐壓	AC1000V 60Hz for 60 Sec.		
Operating temperature/工作溫度	- 20 °C ~ + 60 °C		
Ambient humidity / 工作溼度	35% ~ 85% RH		
Protection degree / 防水等級	IP65		
Material / 外觀材質	ABS		
Wiring method / 出線方式	Pre-wired Ø4.2 x 2 M / 4-wires		
Weight / 重量	Approx. 85g	Approx. 85g	Approx. 165g

## ◆Dimensions/尺寸圖 :

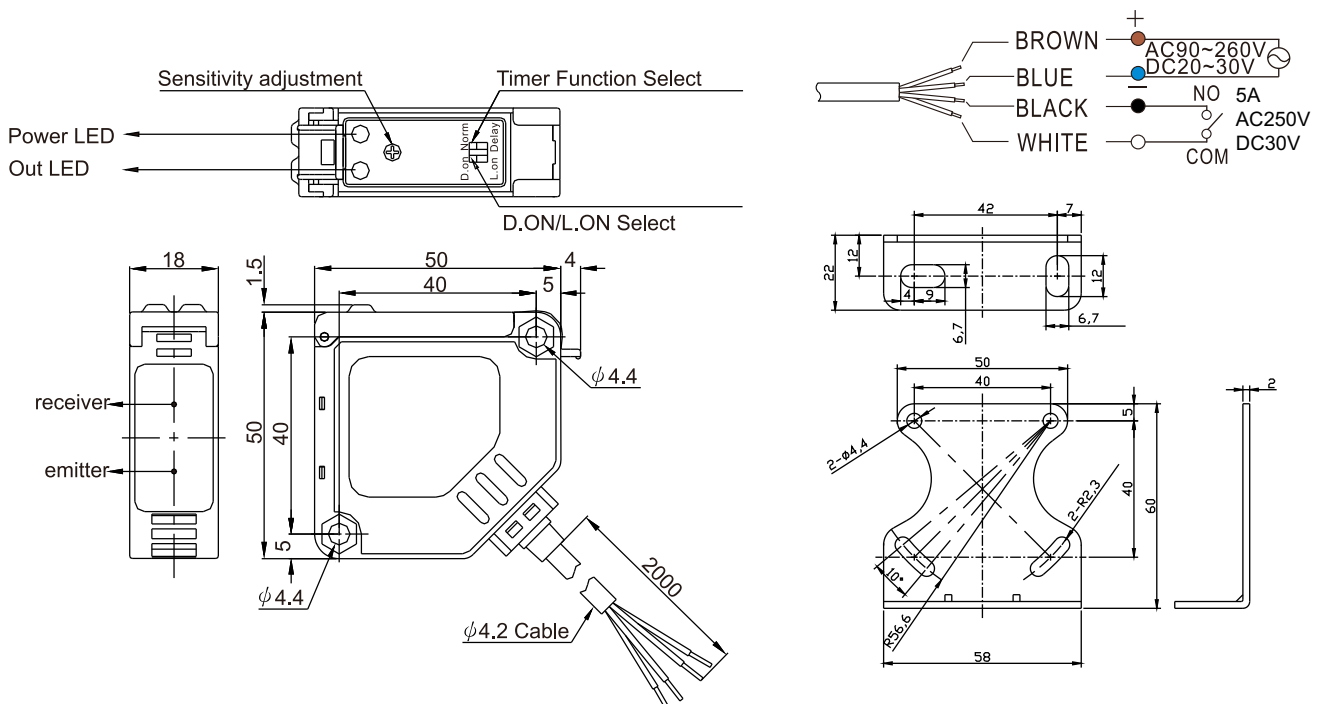


Photo Sensor

Area Sensor

Inductive Proximity Sensor

Capacitive Proximity Sensor

Timer / Counter

Others

Accessories